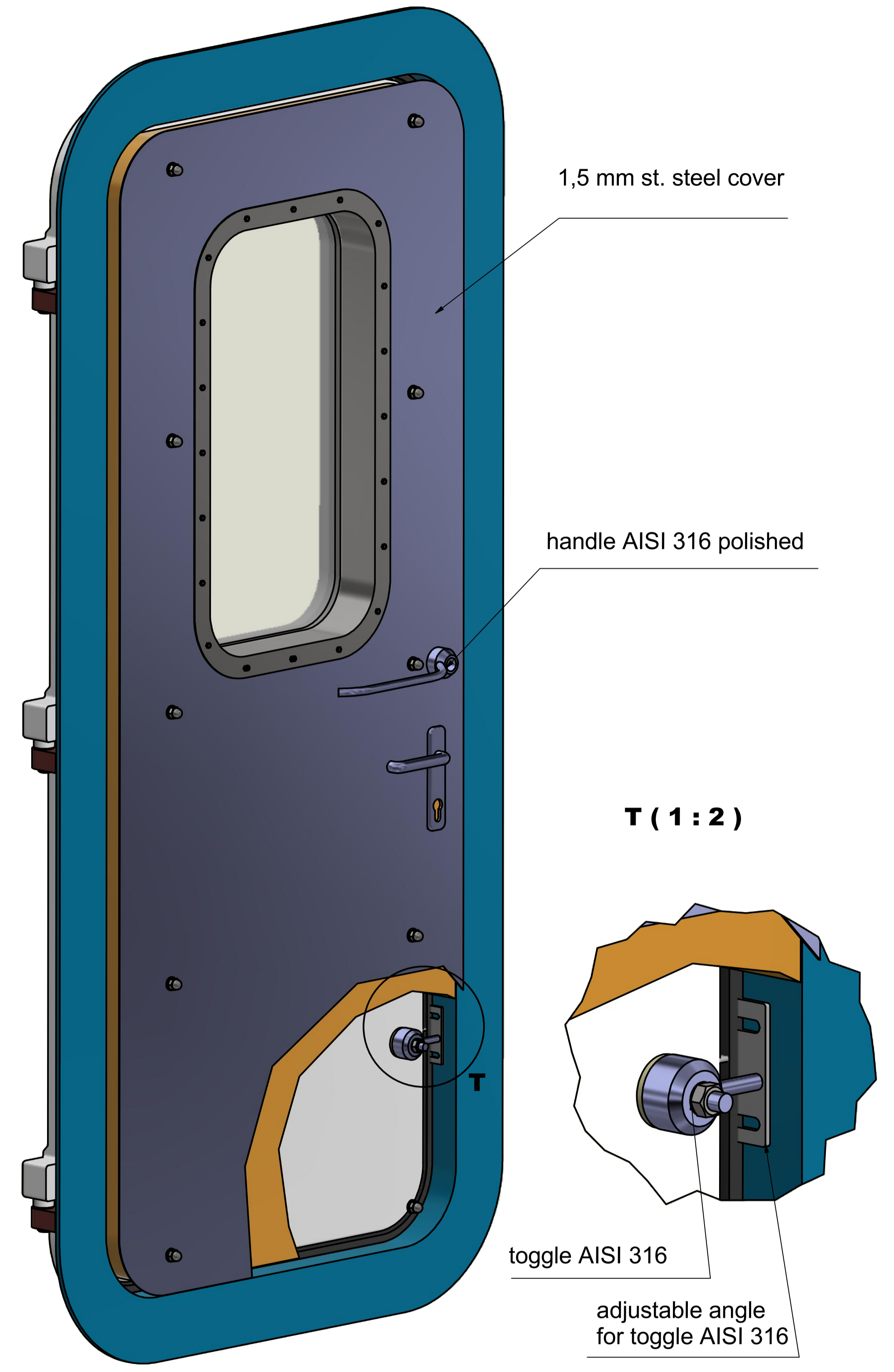
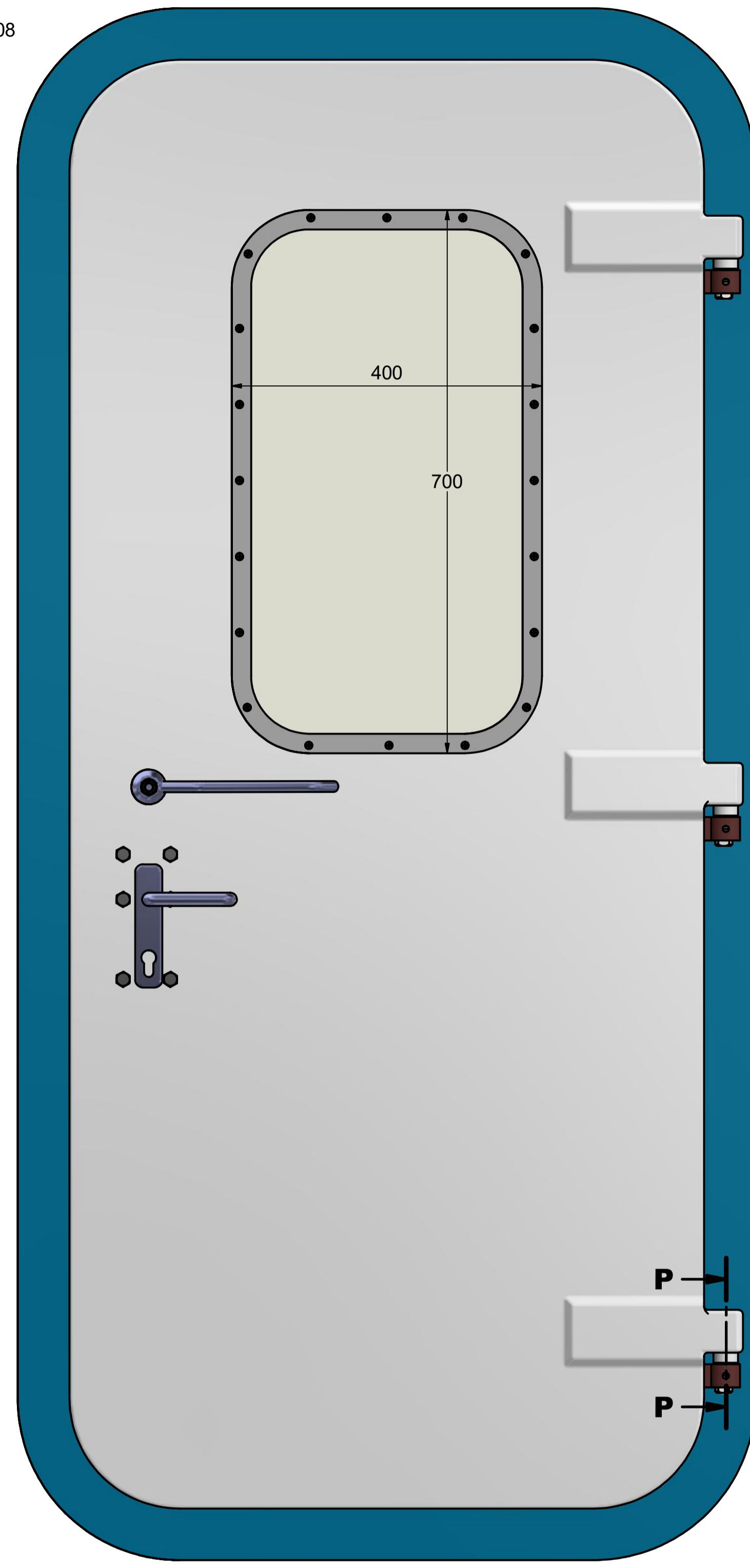
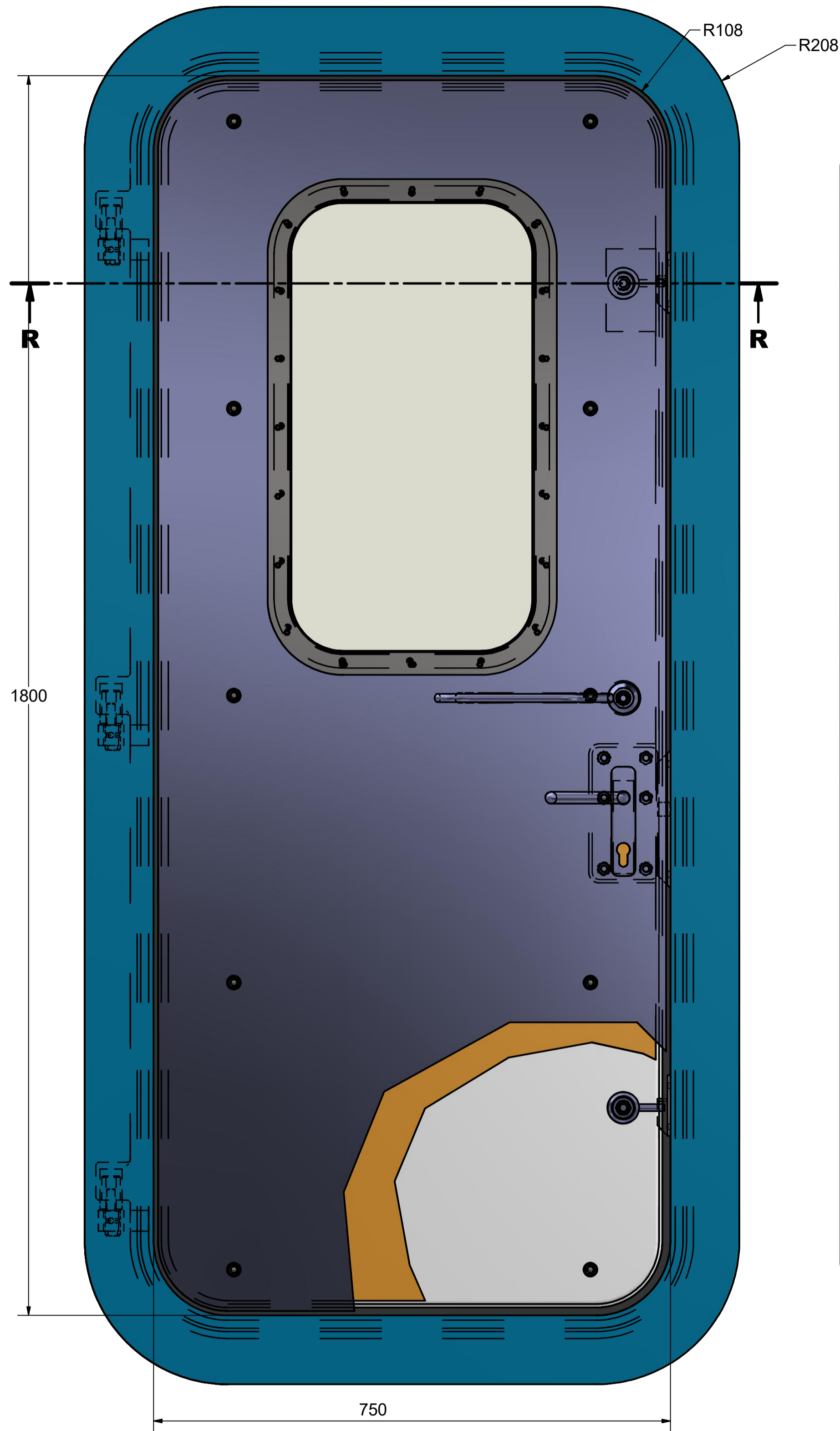
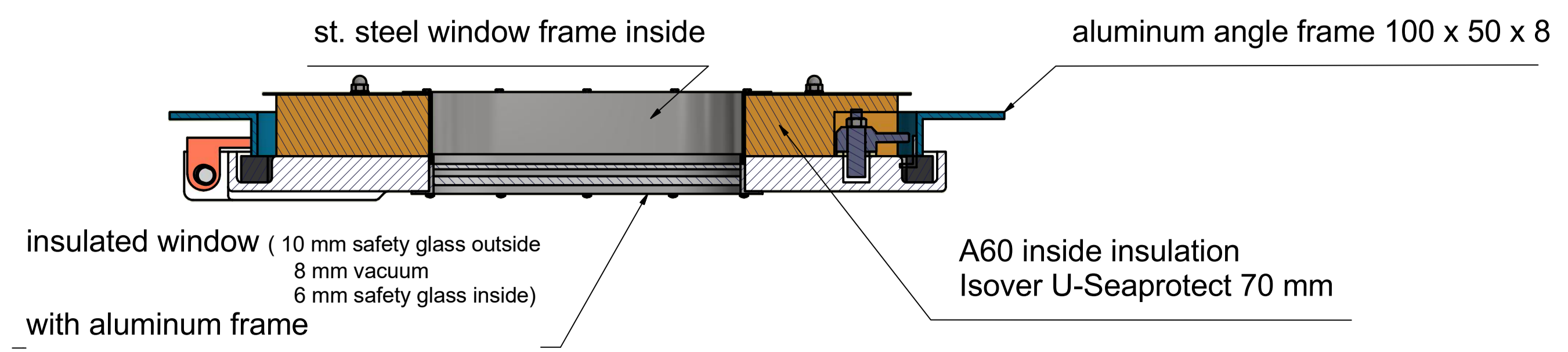


INSIDE
A60 Fire protected

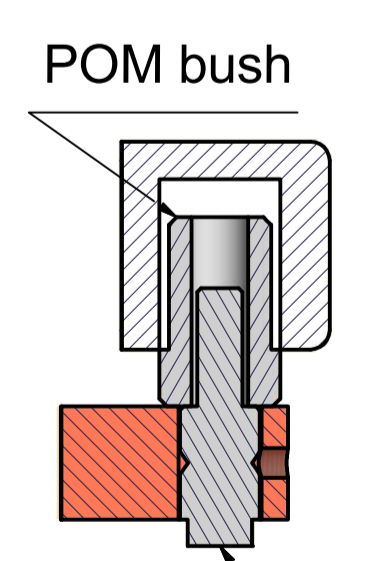
OUTSIDE
Heavy weather-tight



R-R (1 : 5)



P-P (1 : 2)



This drawing is the property of Kunststofftechnik Julitz GmbH which reserves all rights

Tolerances DIN 7168 gr.	Scale	Date	Drawn	Checked	Project:
					Designation:
					Heavy weather-tight
					GRP door with central closing and
					A60 insulation Isover U-Seaprotect
					Drawing No.
Alteration	Date	Name			

Kunststofftechnik Julitz
Tel. +49(0)41614494
Fax +49(0)41614485
julitzgmbh@aol.com